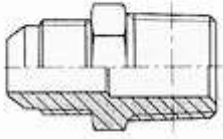
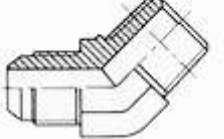
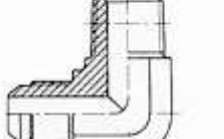
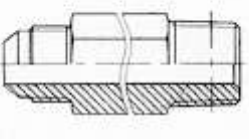
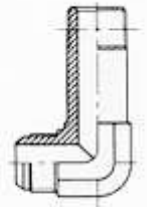
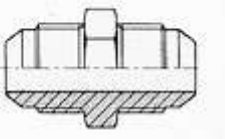
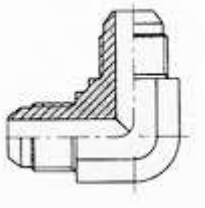
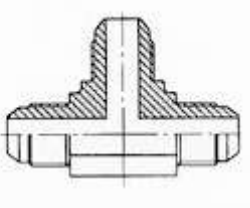
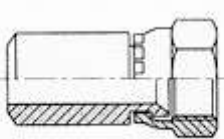
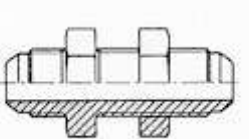
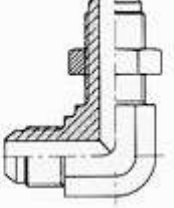
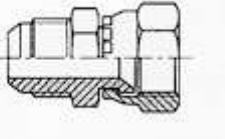
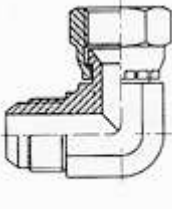
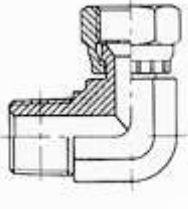
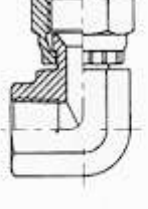
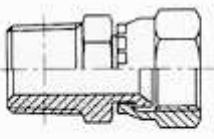
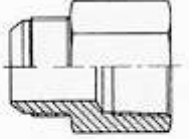
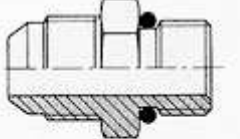
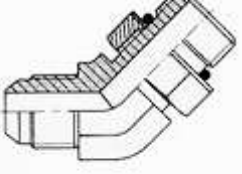
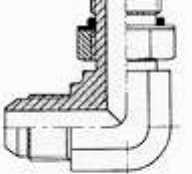
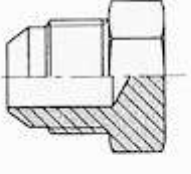
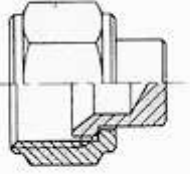


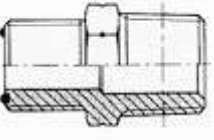
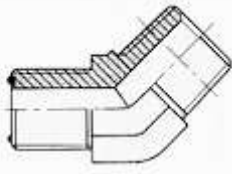
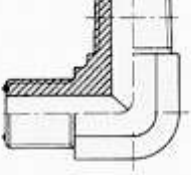
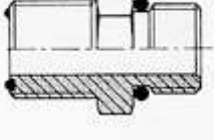
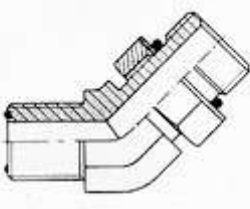
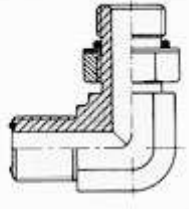


# 美制螺纹 74° 锥面扩口接头 JIC 74° CONE FLARED TUBE FITTINGS

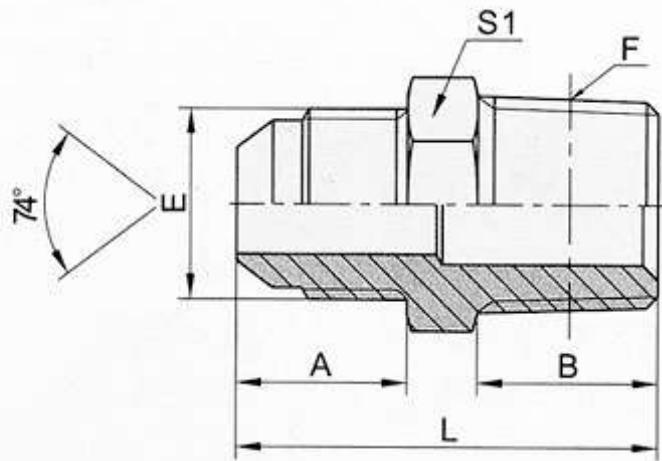
 1JT P52	 1JT4 P53	 1JT9 P54	 1JT-L P55	 1JT9-L P55	 1J P56
 1J9 P56	 AJ P57	 2WJ P57	 6J-LN P58	 6J9-LN P58	 2J P69
 2J9 P60	 2TJ9 P61	 7TJ9 P61	 2TJ P62	 5JT P62	 1JO P63
 1JO4-OG P64	 1JO9-OG P65	 4J P66	 9J P66		



# 美制螺纹 O 型圈平面密封接头 ORFS FITTINGS

 1FN P67	 1FN4 P68	 1FN9 P68	 1FO P69	 1FO4-OG P70	 1FO9-OG P71
---	--	---	---	---	---



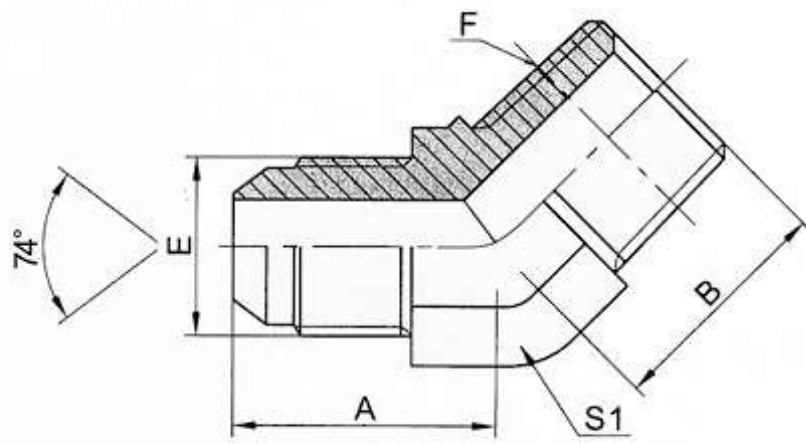


1JT

美制JIC外螺纹74° 外锥 / 英锥管外螺纹  
JIC MALE 74° CONE / BSPT MALE

代号 PART NO.	螺纹 THREAD		尺寸 DIMENSIONS				
	E	F	A	B	L	S1	
1JT-04-02	7/16"X20	R1/8"X28	14	10	30	12	
1JT-04	7/16"X20	R1/4"X19	14	14	34	14	
1JT-04-06	7/16"X20	R3/8"X19	14	15	35	17	
1JT-05-04	1/2"X20	R1/4"X19	14	14	34	14	
1JT-05-06	1/2"X20	R3/8"X19	14	15	35	17	
1JT-06-04	9/16"X18	R1/4"X19	14.5	14	35	17	
1JT-06	9/16"X18	R3/8"X19	14.5	15	36	17	
1JT-06-08	9/16"X18	R1/2"X14	14.5	18	40	22	
1JT-08-06	3/4"X16	R3/8"X19	17	15	40	22	
1JT-08	3/4"X16	R1/2"X14	17	18	43	22	
1JT-08-12	3/4"X16	R3/4"X14	17	20	45	27	
1JT-10-08	7/8"X14	R1/2"X14	20	18	46	24	
1JT-10-12	7/8"X14	R3/4"X14	20	20	48	27	
1JT-12-08	1.1/16"X12	R1/2"X14	22	18	48	27	
1JT-12	1.1/16"X12	R3/4"X14	22	20	50	27	
1JT-12-16	1.1/16"X12	R1"X11	22	24	56	36	
1JT-16-12	1.5/16"X12	R3/4"X14	24	20	54	36	
1JT-16	1.5/16"X12	R1"X11	24	24	58	36	
1JT-16-20	1.5/16"X12	R1.1/4"X11	24	25	62	46	
1JT-20-16	1.5/8"X12	R1"X11	25	24	62	46	
1JT-20	1.5/8"X12	R1.1/4"X11	25	25	63	46	
1JT-20-24	1.5/8"X12	R1.1/2"X11	25	26.5	66	50	
1JT-24-20	1.7/8"X12	R1.1/4"X11	28	25	68	50	
1JT-24	1.7/8"X12	R1.1/2"X11	28	26.5	69	50	
1JT-24-32	1.7/8"X12	R2"X11	28	30	74	65	



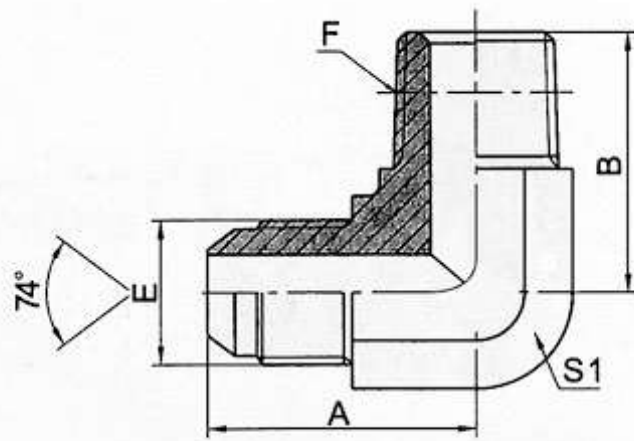


**1JT4**

45° 弯美制JIC外螺纹74° 外锥/英锥管外螺纹  
45° ELBOW JIC MALE 74° CONE/BSPT MALE

代号 PART NO.	螺纹 THREAD		尺寸 DIMENSIONS			
	E	F	A	B	S1	
1JT4-04-02	7/16"X20	R1/8"X28	21.5	17	14	
1JT4-04	7/16"X20	R1/4"X19	22.3	21	14	
1JT4-04-06	7/16"X20	R3/8"X19	22.5	23	17	
1JT4-05-04	1/2"X20	R1/4"X19	22.3	21	14	
1JT4-05-06	1/2"X20	R3/8"X19	22.8	23	17	
1JT4-06-04	9/16"X18	R1/4"X19	22.8	21	14	
1JT4-06	9/16"X18	R3/8"X19	23	23	17	
1JT4-06-08	9/16"X18	R1/2"X14	25	28	22	
1JT4-08-06	3/4"X16	R3/8"X19	28	24	17	
1JT4-08	3/4"X16	R1/2"X14	28	28	22	
1JT4-08-12	3/4"X16	R3/4"X14	29	30.5	27	
1JT4-10-08	7/8"X14	R1/2"X14	31	29.5	22	
1JT4-10-12	7/8"X14	R3/4"X14	33	31.5	27	
1JT4-12-08	1.1/16"X12	R1/2"X14	35.5	30	27	
1JT4-12	1.1/16"X12	R3/4"X14	35.5	30.5	27	
1JT4-12-16	1.1/16"X12	R1"X11	37.5	38	33	
1JT4-16-12	1.5/16"X12	R3/4"X14	38.5	32.5	33	
1JT4-16	1.5/16"X12	R1"X11	38.5	37	33	
1JT4-16-20	1.5/16"X12	R1.1/4"X11	42	42.5	38	
1JT4-20-16	1.5/8"X12	R1"X11	42.5	40	38	
1JT4-20	1.5/8"X12	R1.1/4"X11	42.5	42.5	38	
1JT4-20-24	1.5/8"X12	R1.1/2"X11	46	47	47	
1JT4-24-20	1.7/8"X12	R1.1/4"X11	47	45	47	
1JT4-24	1.7/8"X12	R1.1/2"X11	47	47	47	



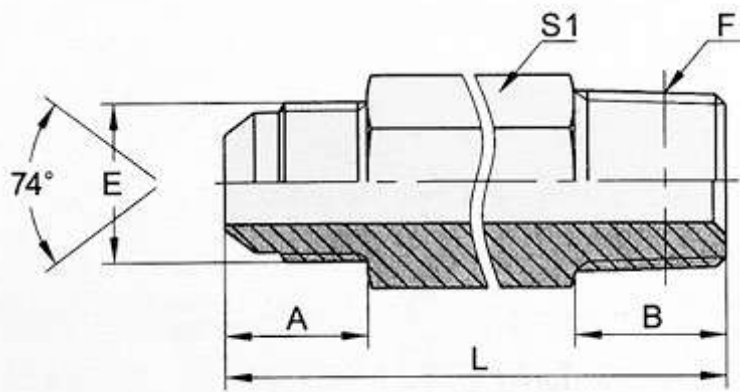


### 1JT9

90° 弯美制JIC外螺纹74° 外锥/英锥管外螺纹  
90° ELBOW JIC MALE 74° CONE/BSPT MALE

代号 PART NO.	螺纹 THREAD		尺寸 DIMENSIONS			
	E	F	A	B	S1	
1JT9-04-02	7/16"X20	R1/8"X28	24.5	21	11	
1JT9-04	7/16"X20	R1/4"X19	26	25.5	14	
1JT9-04-06	7/16"X20	R3/8"X19	27.5	30	17	
1JT9-05-04	1/2"X20	R1/4"X19	26	25.5	14	
1JT9-05-06	1/2"X20	R3/8"X19	27.5	30	17	
1JT9-06-04	9/16"X18	R1/4"X19	26	25.5	14	
1JT9-06	9/16"X18	R3/8"X19	28.5	30	17	
1JT9-06-08	9/16"X18	R1/2"X14	32	34.5	22	
1JT9-08-04	3/4"X16	R1/4"X19	30	28	17	
1JT9-08-06	3/4"X16	R3/8"X19	30	30	17	
1JT9-08	3/4"X16	R1/2"X14	34.5	34.5	22	
1JT9-08-12	3/4"X16	R3/4"X14	38	40	27	
1JT9-10-08	7/8"X14	R1/2"X14	34.5	34.5	22	
1JT9-10-12	7/8"X14	R3/4"X14	40	40	27	
1JT9-12-08	1.1/16"X12	R1/2"X14	40	40	27	
1JT9-12	1.1/16"X12	R3/4"X14	40	40	27	
1JT9-12-16	1.1/16"X12	R1"X11	47	47	33	
1JT9-16-12	1.5/16"X12	R3/4"X14	47	45	33	
1JT9-16	1.5/16"X12	R1"X11	47	47	33	
1JT9-16-20	1.5/16"X12	R1.1/4"X11	53	53	38	
1JT9-20-16	1.5/8"X12	R1"X11	53	53	38	
1JT9-20	1.5/8"X12	R1.1/4"X11	53	53	38	
1JT9-24-20	1.7/8"X12	R1.1/4"X11	62	60	47	
1JT9-24	1.7/8"X12	R1.1/2"X11	62	62	47	
1JT9-24-32	1.7/8"X12	R2"X11	71	66	56	

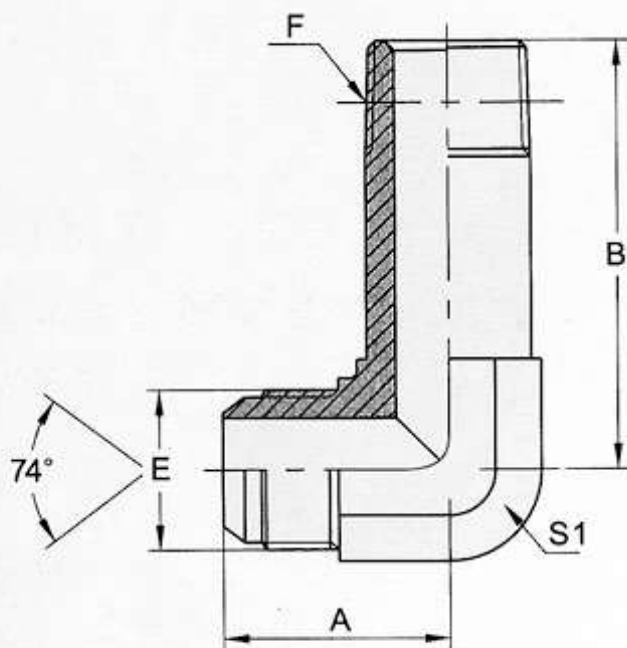




### 1JT-L

美制JIC外螺纹74° 外锥面/加长英锥管外螺纹  
JIC FEMALE 74° CONE/LONG BSPT MALE

代号 PART NO.	螺纹 THERAD		尺寸 DIMENSIONS				
	E	F	A	B	S1	L	
1JT-04L	7/16"X20	R1/4"X19	14	14	14	70	
1JT-06L	9/16"X18	R3/8"X19	14.5	14	17	75	
1JT-08L	3/4"X16	R1/2"X14	17	18	22	90	
1JT-12L	1.1/16"X12	R3/4"X14	22	20	27	110	
1JT-16L	1.5/16"X12	R1"X11	25	24	36	130	
1JT-20L	1.5/8"X12	R1.1/4"X11	36	25	46	140	
1JT-24L	1.7/8"X12	R1.1/2"X11	29	26	50	160	

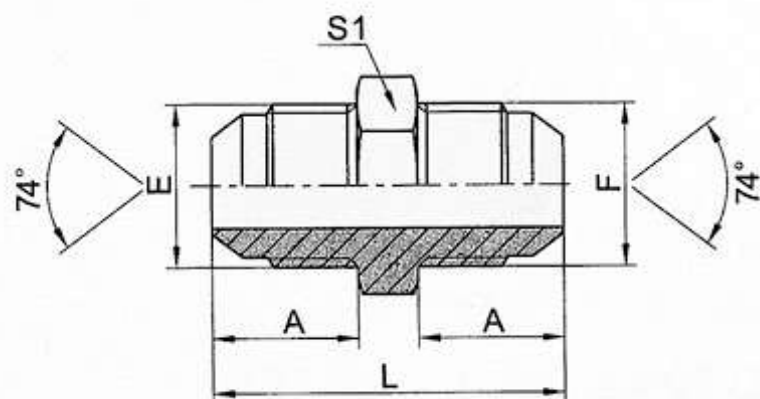


### 1JT9-L

90° 弯JIC外螺纹74° 外锥面/加长英锥管外螺纹  
90° JIC FEMALE 74°  
CONE/LONG BSPT MALE

代号 PART NO.	螺纹 THERAD		尺寸 DIMENSIONS				
	E	F	A	B	S1		
1JT9-04L	7/16"X20	R1/4"X19	26.5	52.5	14		
1JT9-06L	9/16"X18	R3/8"X19	28.5	61.5	17		
1JT9-08L	3/4"X16	R1/2"X14	34.5	73	22		
1JT9-12L	1.1/16"X12	R3/4"X14	40	83.5	27		
1JT9-16L	1.5/16"X12	R1"X11	47	103	33		
1JT9-20L	1.5/8"X12	R1.1/4"X11	53	127	38		
1JT9-24L	1.7/8"X12	R1.1/2"X11	62	141	48		

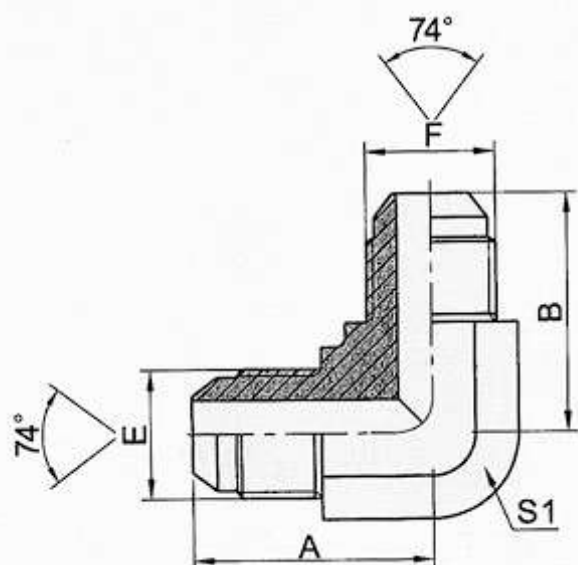




**1J**

美制JIC外螺纹74° 外锥  
JIC MALE 74° CONE

代号 PART NO.	螺纹 THREAD		尺寸 DIMENSIONS			
	E	F	A	B	L	S1
1J-04	7/16"X20	7/16"X20	14	14	34	12
1J-05	1/2"X20	1/2"X20	14	14	34	14
1J-06	9/16"X18	9/16"X18	14.5	14.5	35	17
1J-08	3/4"X16	3/4"X16	17	17	42	22
1J-10	7/8"X14	7/8"X14	20	20	48	24
1J-12	1.1/16"X12	1.1/16"X12	22	22	52	27
1J-16	1.5/16"X12	1.5/16"X12	24	24	58	36
1J-20	1.5/8"X12	1.5/8"X12	25	25	61	46
1J-24	1.7/8"X12	1.7/8"X12	28	28	70	50

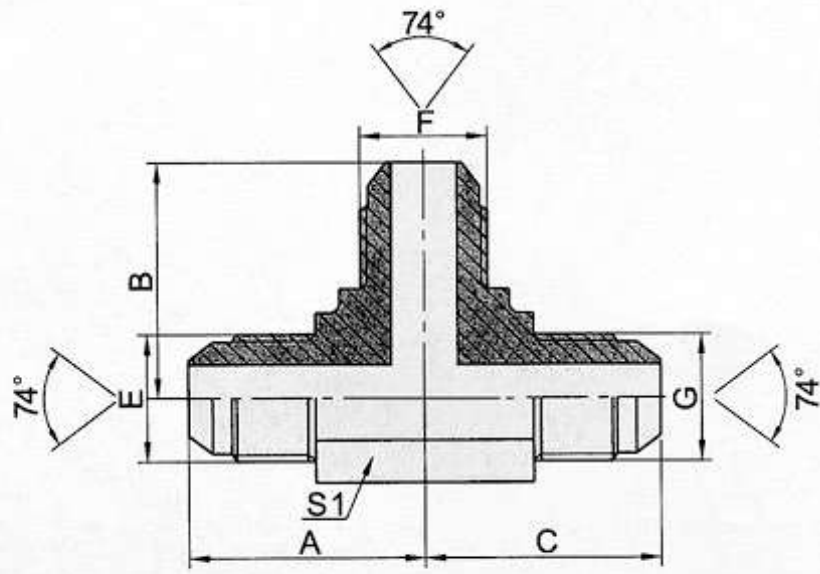


**1J9**

90° 弯美制JIC外螺纹74° 外锥  
90° ELBOW JIC MALE 74° CONE

代号 PART NO.	螺纹 THREAD		尺寸 DIMENSIONS			
	E	F	A	B	S1	
1J9-04	7/16"X20	7/16"X20	24.5	24.5	11	
1J9-05	1/2"X20	1/2"X20	26	26	14	
1J9-06	9/16"X18	9/16"X18	26	26	14	
1J9-08	3/4"X16	3/4"X16	30	30	17	
1J9-10	7/8"X14	7/8"X14	34.5	34.5	22	
1J9-12	1.1/16"X12	1.1/16"X12	40	40	27	
1J9-16	1.5/16"X12	1.5/16"X12	47	47	33	
1J9-20	1.5/8"X12	1.5/8"X12	53	53	38	
1J9-24	1.7/8"X12	1.7/8"X12	62	62	47	

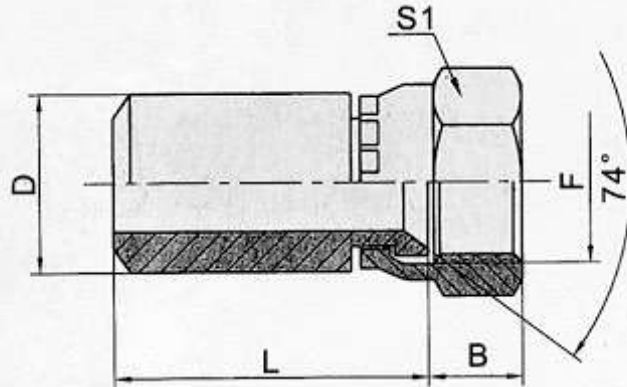




**AJ**

美制JIC外螺纹74° 外锥三通  
JIC MALE 74° CONE TEE

代号 PART NO.	螺纹 THREAD			尺寸 DIMENSIONS				
	E	F	G	A	B	C	S1	
AJ-04	7/16"X20	7/16"X20	7/16"X20	24.5	24.5	24.5	11	
AJ-05	1/2"X20	1/2"X20	1/2"X20	26	26	26	14	
AJ-06	9/16"X18	9/16"X18	9/16"X18	26	26	26	14	
AJ-08	3/4"X16	3/4"X16	3/4"X16	30	30	30	17	
AJ-10	7/8"X14	7/8"X14	7/8"X14	35	35	35	22	
AJ-12	1.1/16"X12	1.1/16"X12	1.1/16"X12	40	40	40	27	
AJ-16	1.5/16"X12	1.5/16"X12	1.5/16"X12	47	47	47	33	
AJ-20	1.5/8"X12	1.5/8"X12	1.5/8"X12	53	53	53	38	
AJ-24	1.7/8"X12	1.7/8"X12	1.7/8"X12	62	62	62	47	



**2WJ**

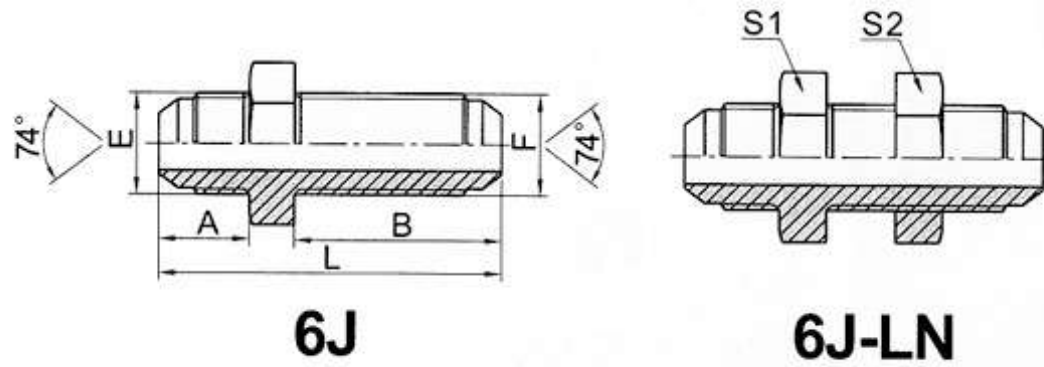
焊接管/美制JIC内螺纹74° 内锥  
BUTT-WELD TUBE/JIC FEMALE 74° SEAT

代号 PART NO.	螺纹 THREAD F	管子直径 TUBE O.D.	尺寸 DIMENSIONS			
			B	D	L	S1
2WJ-10-04	7/6"X20	10	9	10	25.5	15
2WJ-12-05	1/2"X20	12	9.5	12	27	17
2WJ-14-04	7/16"X20	14	9	14	27	15
2WJ-14-06	9/16"X18	14	10.5	14	55	19
2WJ-18-08	3/4"X16	18	11	18	60	24
2WJ-20-10	7/8"X14	20	13	20	33	27
2WJ-22-12	1.1/16"X12	22	15	22	68	32
2WJ-28-16	1.5/16"X12	28	16	28	68	41
2WJ-34-20	1.5/8"X12	34	17	34	75	50





# 美制螺纹 74° 锥面扩口接头 JIC 74° CONE FLARED TUBE FITTINGS

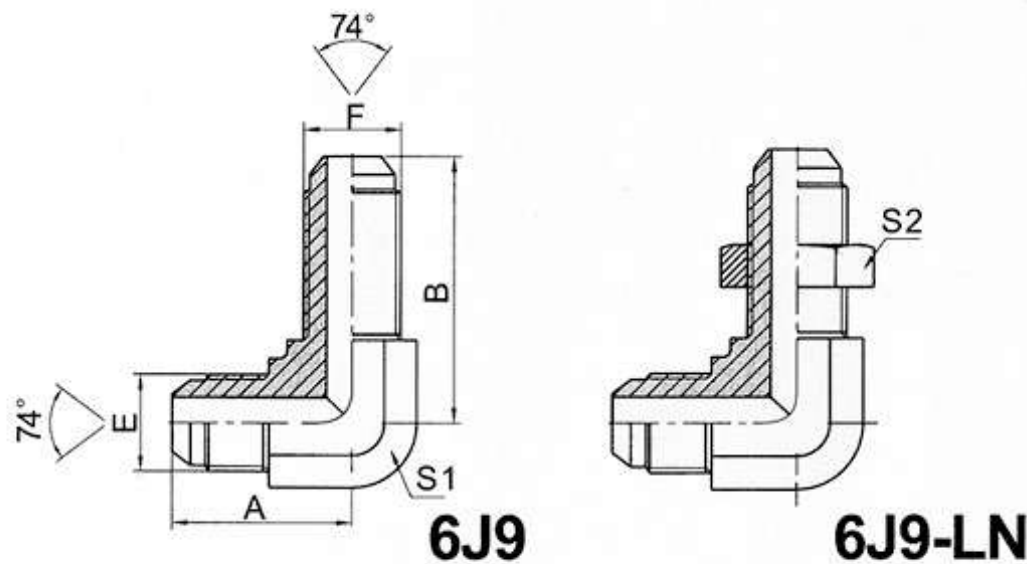


美制JIC外螺纹74°外锥过板接头  
JIC MALE 74° CONE BULKHEAD

代号 PART NO.	螺纹 THREAD		尺寸 DIMENSIONS				
	E	F	A	B	L	S1	S2
6J-04	7/16"X20	7/16"X20	14	32.5	52.5	17	17
6J-05	1/2"X20	1/2"X20	14	32.5	52.5	19	19
6J-06	9/16"X18	9/16"X18	14.5	32.5	54.5	22	22
6J-08	3/4"X16	3/4"X16	17	36.5	61.5	24	24
6J-10	7/8"X14	7/8"X14	20	40	69.5	30	30
6J-12	1.1/16"X12	1.1/16"X12	22	44.5	78.5	36	36
6J-14	1.3/16"X12	1.3/16"X12	23	44.5	79.2	38	38
6J-16	1.5/16"X12	1.5/16"X12	24	44.5	79.8	41	41
6J-20	1.5/8"X12	1.5/8"X12	25	45.7	84	50	50
6J-24	1.7/8"X12	1.7/8"X12	28	46	89.5	55	55

注：如需带锁母订货，则请在代号后加“LN”，如6J-12LN。

Note: In case if you are interested to order the adapter with lock nut, please insert suffix "LN" after our part NO., for example 6J-12LN.



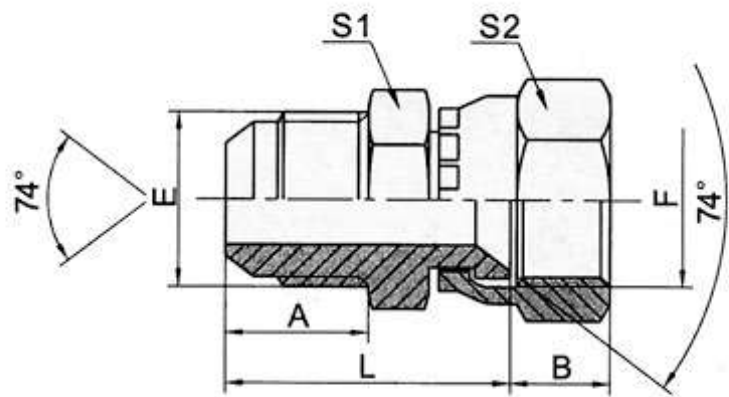
90° 弯美制JIC外螺纹74°外锥过板接头  
90° ELBOW JIC MALE 74° CONE BULKHEAD

代号 PART NO.	螺纹 THREAD		尺寸 DIMENSIONS			
	E	F	A	B	S1	S2
6J9-04	7/16"X20	7/16"X20	24.5	40.4	11	17
6J9-05	1/2"X20	1/2"X20	26.6	43.7	14	19
6J9-06	9/16"X18	9/16"X18	27.7	46	14	22
6J9-08	3/4"X16	3/4"X16	34.5	53.5	19	24
6J9-10	7/8"X14	7/8"X14	39.6	60.7	22	30
6J9-12	1.1/16"X12	1.1/16"X12	45.2	67.8	27	36
6J9-14	1.3/16"X12	1.3/16"X12	48.2	69.5	30	38
6J9-16	1.5/16"X12	1.5/16"X12	50	71.5	33	41
6J9-20	1.5/8"X12	1.5/8"X12	57.5	79.2	41	50

注：如需带锁母订货，则请在代号后加“LN”，如6J9-12LN。

Note: In case if you are interested to order the adapter with lock nut, please insert suffix "LN" after our part NO., for example 6J9-12LN.



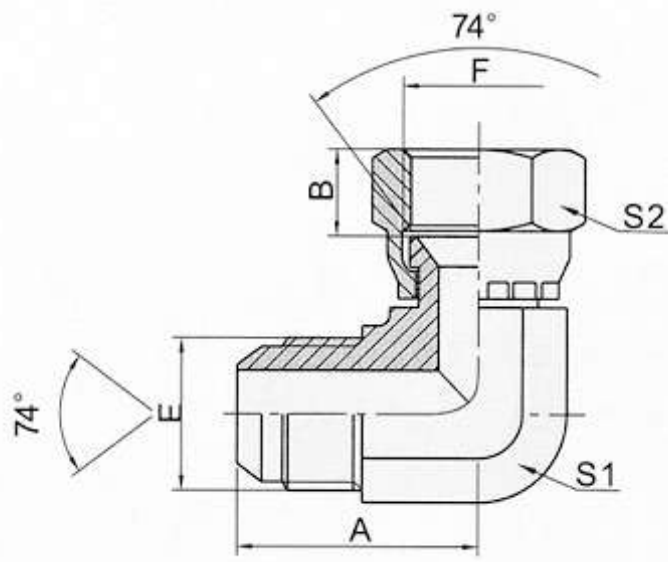


**2J**

美制JIC外螺纹74° 外锥 / JIC内螺纹74° 内锥  
JIC MALE 74° CONE / JIC FEMALE 74° SEAT

代号 PART NO.	螺纹 THREAD		尺寸 DIMENSIONS				
	E	F	A	B	L	S1	S2
2J-04	7/16"X20	7/16"X20	14	9	28	12	15
2J-04-05	7/16"X20	1/2"X20	14	9.5	28.5	12	17
2J-04-06	7/16"X20	9/16"X18	14	10.5	28.5	14	19
2J-04-08	7/16"X20	3/4"X20	14	11	30.5	19	24
2J-05	1/2"X20	1/2"X20	14	9.5	29	14	17
2J-05-06	1/2"X20	9/16"X18	14	10.5	28.5	14	19
2J-05-08	1/2"X20	3/4"X16	14	11	30.5	19	24
2J-06	9/16"X18	9/16"X18	14.5	10.5	29	17	19
2J-06-08	9/16"X18	3/4"X16	14.5	11	31	19	24
2J-06-10	9/16"X18	7/8"X14	14.5	13	33.5	22	27
2J-08	3/4"X16	3/4"X16	17	11	36	22	24
2J-08-06	3/4"X16	9/16"X18	17	10.5	34	22	19
2J-08-10	3/4"X16	7/8"X14	17	13	36.5	22	27
2J-08-12	3/4"X16	1.1/16"X12	17	15	39.5	27	32
2J-10	7/8"X14	7/8"X14	20	13	39	24	27
2J-10-08	7/8"X14	3/4"X16	20	11	38	24	24
2J-10-12	7/8"X14	1.1/16"X12	20	15	42	27	32
2J-12	1.1/16"X12	1.1/16"X12	22	15	44.5	30	32
2J-12-10	1.1/16"X12	7/8"X14	22	13	43.5	30	27
2J-12-16	1.1/16"X12	1.5/16"X12	22	16	45.5	36	41
2J-16	1.5/16"X12	1.5/16"X12	24	16	46.5	36	41
2J-16-20	1.5/16"X12	1.5/8"X12	24	17	53	41	50
2J-20	1.5/8"X12	1.5/8"X12	25	17	54.5	46	50
2J-20-24	1.5/8"X12	1.7/8"X12	25	20	55.5	46	55
2J-24	1.7/8"X12	1.7/8"X12	28	20	61	50	55



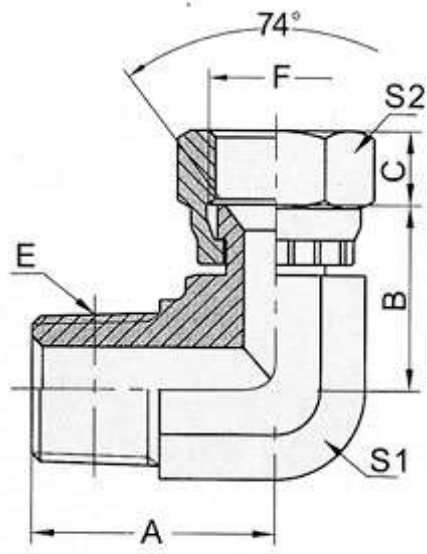


**2J9**

90° 弯美制JIC外螺纹74° 外锥 / JIC内螺纹74° 内锥  
 90° ELBOW JIC MALE 74° CONE /  
 JIC FEMALE 74° SEAT

代号 PART NO.	螺纹 THREAD		尺寸 DIMENSIONS			
	E	F	A	B	S1	S2
2J9-04	7/16"X20	7/16"X20	24.5	9	11	15
2J9-05	1/2"X20	1/2"X20	26	9.5	14	17
2J9-06	9/16"X18	9/16"X18	26	10.5	14	19
2J9-06-08	9/16"X18	3/4"X16	28.5	11	17	24
2J9-08-06	3/4"X16	9/16"X18	30	10.5	17	19
2J9-08	3/4"X16	3/4"X16	30	11	17	24
2J9-08-10	3/4"X16	7/8"X14	32	13	22	27
2J9-10	7/8"X14	7/8"X14	34.5	13	22	27
2J9-10-08	7/8"X14	3/4"X16	34.5	11	22	24
2J9-10-12	7/8"X14	1.1/16"X12	39.5	15	27	32
2J9-12	1.1/16"X12	1.1/16"X12	40	15	27	32
2J9-12-10	1.1/16"X12	7/8"X14	40	13	27	27
2J9-12-16	1.1/16"X12	1.5/16"X12	46	16	33	41
2J9-16	1.5/16"X12	1.5/16"X12	47	16	33	41
2J9-16-20	1.5/16"X12	1.5/8"X12	53	17	38	50
2J9-20-16	1.5/8"X12	1.5/16"X12	53	16	38	41
2J9-20	1.5/8"X12	1.5/8"X12	53	17	38	50
2J9-20-24	1.5/8"X12	1.7/8"X12	59.5	20	47	55
2J9-24-20	1.7/8"X12	1.5/8"X12	62	17	47	50
2J9-24	1.7/8"X12	1.7/8"X12	62	20	47	55

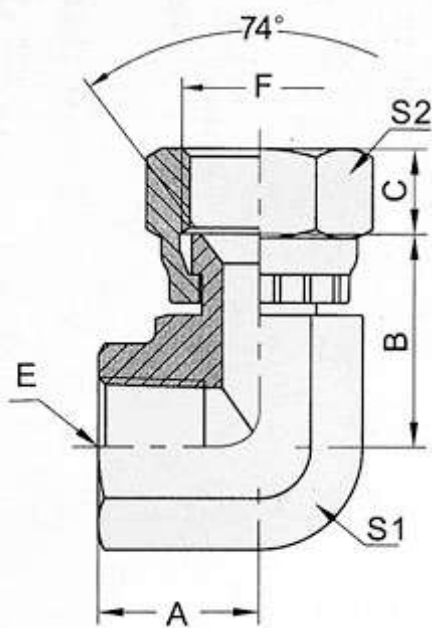




### 2TJ9

90° 英管外螺纹/美制JIC内螺纹74° 内锥  
90° ELBOW BSPT MALE /JIC  
FEMALE 74° SEAT

代号 PART NO.	螺纹 THERAD		尺寸 DIMENSIONS				
	E	F	A	B	C	S1	S2
2TJ9-04	7/16"X20	R1/4"X19	26	20	8.5	14	17
2TJ9-06	9/16"X18	R3/8"X19	29	22	10.5	17	19
2TJ9-08	3/4"X16	R1/2"X14	34.5	26.5	11	22	24
2TJ9-12	1.1/16"X12	R3/4"X14	40	30	15	27	32
2TJ9-16	1.5/16"X12	R1"X11	47	34	16	33	41
2TJ9-20	1.5/8"X12	R1.1/4"X11	53	40	17	38	50
2TJ9-24	1.7/8"X12	R1.1/2"X11	62	34	20	47	55

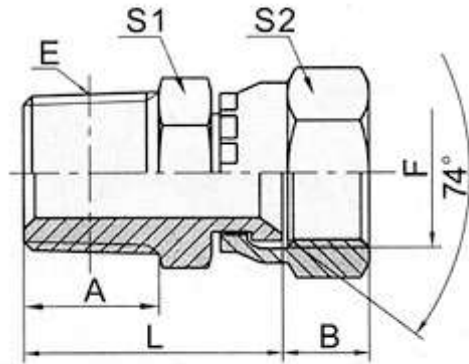


### 7TJ9

90° 英管外螺纹/美制JIC内螺纹74° 内锥  
90° ELBOW BSPT FEMALE /JIC  
FEMALE 74° SEAT

代号 PART NO.	螺纹 THERAD		尺寸 DIMENSIONS				
	E	F	A	B	C	S1	S2
7TJ9-04	7/16"X20	RC1/4"X19	20.5	20.5	8.5	17	17
7TJ9-06	9/16"X18	RC3/8"X19	23.5	23.5	10.5	22	19
7TJ9-08	3/4"X16	RC1/2"X14	29	29	11	27	24
7TJ9-12	1.1/16"X12	RC3/4"X14	33	33	15	33	32
7TJ9-16	1.5/16"X12	RC1"X11	40	40	16	41	41
7TJ9-20	1.5/8"X12	RC1.1/4"X11	55	47	17	47	50
7TJ9-24	1.7/8"X12	RC1.1/2"X11	64	53	20	56	55

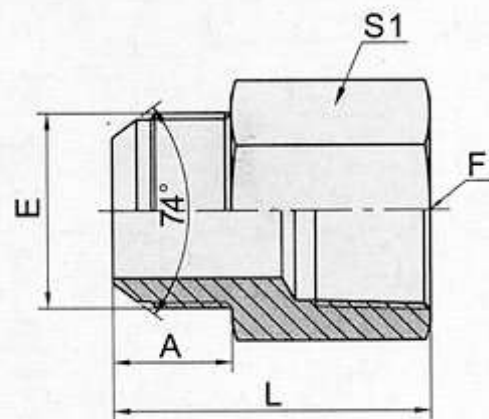




## 2TJ

英锥管外螺纹/美制JIC内螺纹74° 内锥  
BSPT MALE/JIC FEMALE 74° SEAT

代号 PART NO.	螺纹 THREAD		尺寸 DIMENSIONS				
	E	F	A	B	L	S1	S2
2TJ-02-04	R1/8"X28	7/16"X20	10	9	24	12	17
2TJ-04	R1/4"X19	7/16" X20	14	9	28	14	17
2TJ-04-05	R1/4"X19	1/2"X20	14	9	28.5	14	17
2TJ-04-06	R1/4"X19	9/16"X18	14	10.5	28.5	14	19
2TJ-06-05	R3/8"X19	1/2"X20	15	9	29.5	17	17
2TJ-06	R3/8"X19	9/16"X18	15	10.5	29.5	17	19
2TJ-06-08	R3/8"X19	3/4"X16	15	10.5	31.5	19	24
2TJ-08	R1/2"X 14	3/4"X16	18	10.5	37.5	22	24
2TJ-08-10	R1/2"X 14	7/8"X14	18	12	38	24	27
2TJ-08-12	R1/2"X 14	1.1/16"X12	18	15	41.5	27	32
2TJ-12	R3/4"X14	1.1/16"X12	20	15	41.5	27	32
2TJ-12-16	R3/4"X14	1.5/16"X12	20	16	43.5	32	41
2TJ-16	R1"X11	1.5/16"X12	24	16	47.5	36	41
2TJ-20	R1.1/4"X11	1.5/8"X12	25	17	55	46	50
2TJ-24	R1.1/2"X11	1.7/8" X12	26	20	59.5	50	55



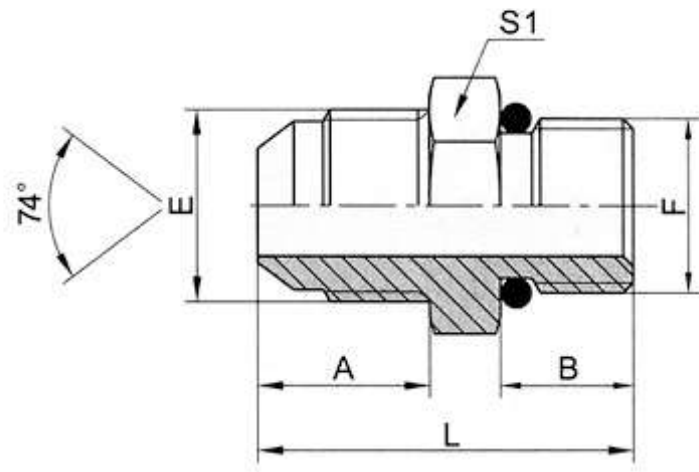
## 5JT

美制JIC外螺纹74° 外锥/英锥管内螺纹  
JIC MALE 74° CONE/BSPT FEMALE

代号 PART NO.	螺纹 THREAD		尺寸 DIMENSIONS		
	E	F	A	L	S1
5JT-04-02	7/16"X20	Rc1/8"X28	14	30	14
5JT-04	7/16"X20	Rc1/4"X19	14	35	19
5JT-06-04	9/16"X18	Rc1/4"X19	14.5	35	19
5JT-06	9/16"X18	Rc3/8"X19	14.5	36	22
5JT-08-06	3/4"X16	Rc3/8"X19	17	40	22
5JT-08	3/4"X16	Rc1/2"X14	17	45	27
5JT-10-08	7/8"X14	Rc1/2"X14	19	48	27
5JT-12	1.1/16"X12	Rc3/4"X14	22	52	36
5JT-16	1.5/16"X12	Rc1"X11	23	60	41

注：螺母及衬套需另行订货。管子直径D为公制时，配用螺母及衬套分别选用NB200、NB500。管子直径为英制时，配用螺母及衬套分别选用NB200、NB300。Note: Nut and sleeve should be ordered separately. The nut NB200 and sleeve NB500 is suitable for metric tube, the nut NB200 and sleeve NB300 is suitable for inch tube.



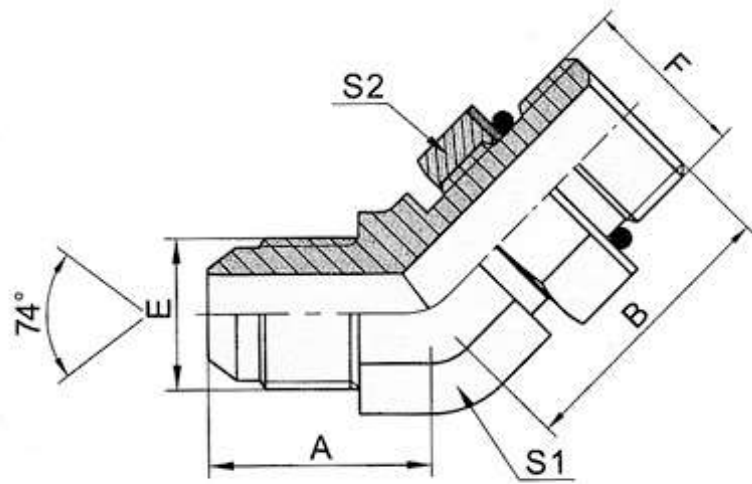


### 1JO

美制JIC外螺纹74° 外锥 /  
SAE外螺纹带O形圈轻系列ISO 11926-3  
JIC MALE 74° CONE /  
SAE O-RING BOSS L -SERIES ISO 11926-3

代号 PART NO.	螺纹 THREAD		O形圈 O-RING		尺寸 DIMENSIONS				
	E	F		F 端	A	B	L	S1	
1JO-04-02	7/16"X20	5/16"X24		O902	14	7.54	27.5	14	
1JO-04	7/16"X20	7/16"X20		O904	14	9.14	29	14	
1JO-04-06	7/16"X20	9/16"X18		O906	14	9.93	30	17	
1JO-05	1/2"X20	1/2"X20		O905	14	9.14	29	17	
1JO-05-04	1/2"X20	7/16"X20		O904	14	9.14	29	14	
1JO-05-06	1/2"X20	9/16"X18		O906	14	9.93	30	17	
1JO-06	9/16"X18	9/16"X18		O902	14.5	9.93	30	17	
1JO-06-04	9/16"X18	7/16"X20		O904	14.5	9.14	29	17	
1JO-06-05	9/16"X18	1/2"X20		O905	14.5	9.14	30	17	
1JO-06-08	9/16"X18	3/4"X16		O908	14.5	11.13	33	22	
1JO-08	3/4"X16	3/4"X16		O908	17	11.13	36	22	
1JO-08-06	3/4"X16	9/16"X18		O906	17	9.93	35	22	
1JO-08-10	3/4"X16	7/8"X14		O910	17	12.7	40	27	
1JO-08-12	3/4"X16	1.1/16"X12		O912	17	15.09	43	32	
1JO-10	7/8"X14	7/8"X14		O910	20	12.7	42.5	27	
1JO-10-08	7/8"X14	3/4"X16		O908	20	11.13	39	24	
1JO-10-12	7/8"X14	1.1/16"X12		O912	20	15.09	45.5	32	
1JO-12	1.1/16"X12	1.1/16"X12		O912	22	15.09	48	32	
1JO-12-08	1.1/16"X12	3/4"X16		O908	22	11.13	43	27	
1JO-12-10	1.1/16"X12	7/8"X14		O910	22	12.7	45	27	
1JO-12-14	1.1/16"X12	1.3/16"X12		O914	22	15.09	48	36	
1JO-12-16	1.1/16"X12	1.5/16"X12		O916	22	15.09	48	38	
1JO-16	1.5/16"X12	1.5/16"X12		O916	24	15.09	49	38	
1JO-16-12	1.5/16"X12	1.1/16"X12		O912	24	15.09	49	36	
1JO-16-14	1.5/16"X12	1.3/16"X12		O914	24	15.09	49	36	
1JO-16-20	1.5/16"X12	1.5/8"X12		O920	24	15.09	54	50	
1JO-20	1.5/8"X12	1.5/8"X12		O920	25	15.09	54	50	
1JO-20-16	1.5/8"X12	1.5/16"X12		O916	25	15.09	52	46	
1JO-20-24	1.5/8"X12	1.7/8"X12		O924	25	15.09	55	55	
1JO-24	1.7/8"X12	1.7/8"X12		O924	28	15.09	58	55	
1JO-24-20	1.7/8"X12	1.5/8"X12		O920	28	15.09	58	50	
1JO-24-32	1.7/8"X12	2.1/2"X12		O932	28	15.09	60	70	



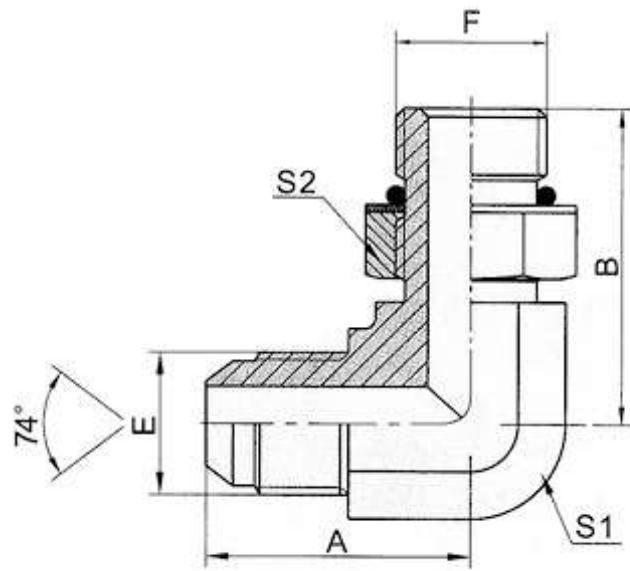


### 1JO4-OG

45° 弯JIC外螺纹74° 外锥 /  
SAE外螺纹带O形圈轻系列ISO 11926-3  
45° ELBOW JIC MALE 74° CONE /  
SAE O-RING BOSS L-SERIES ISO 11926-3

代号 PART NO.	螺纹 THREAD		O形圈 O-RING		尺寸 DIMENSIONS				
	E	F		F端	A	B	S1	S2	
1JO4-04OG	7/16"X20	7/16"X20		O904	21	24	11	17	
1JO4-04-06OG	7/16"X20	9/16"X18		O906	22.3	27.5	14	19	
1JO4-05OG	1/2"X20	1/2"X20		O905	22	26.7	14	17	
1JO4-05-04OG	1/2"X20	7/16"X20		O904	22	26.7	14	17	
1JO4-06OG	9/16"X18	9/16"X18		O906	23.5	28	14	19	
1JO4-06-04OG	9/16"X18	7/16"X20		O904	22.8	26	14	17	
1JO4-06-05OG	9/16"X18	1/2"X20		O905	22.8	26	14	17	
1JO4-06-08OG	9/16"X18	3/4"X16		O908	25	32.5	19	24	
1JO4-08OG	3/4"X16	3/4"X16		O908	25.8	32.5	19	24	
1JO4-08-06OG	3/4"X16	9/16"X18		O906	25.5	28	19	19	
1JO4-08-10OG	3/4"X16	7/8"X14		O910	28	38.7	22	27	
1JO4-08-12OG	3/4"X16	1.1/16"X12		O912	30	43.9	27	32	
1JO4-10OG	7/8"X14	7/8"X14		O910	29.5	38.7	22	27	
1JO4-10-08OG	7/8"X14	3/4"X16		O908	29.5	33	22	27	
1JO4-10-12OG	7/8"X14	1.1/16"X12		O912	33	43.9	27	32	
1JO4-12OG	1.1/16"X12	1.1/16"X12		O912	34	43.5	27	32	
1JO4-12-10OG	1.1/16"X12	7/8"X14		O910	34	42	27	27	
1JO4-12-16OG	1.1/16"X12	1.5/16"X12		O916	37	45.5	33	41	
1JO4-16OG	1.5/16"X12	1.5/16"X12		O916	38	45.5	33	41	
1JO4-16-12OG	1.5/16"X12	1.1/16"X12		O912	38	45	33	32	
1JO4-16-20OG	1.5/16"X12	1.5/8"X12		O920	40.5	47	41	50	
1JO4-20OG	1.5/8"X12	1.5/8"X12		O920	42	48.5	41	50	
1JO4-20-24OG	1.5/8"X12	1.7/8"X12		O924	46	50	48	55	
1JO4-24OG	1.7/8"X12	1.7/8"X12		O924	48	50	48	55	



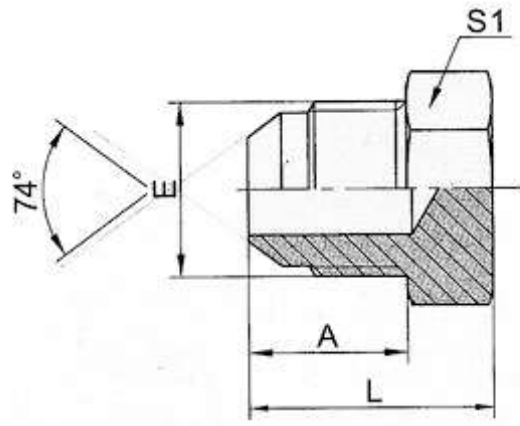


**1J09-OG**

90° 弯美制JIC外螺纹74° 外锥 /  
SAE外螺纹带O形圈轻系列ISO 11926-3  
90° ELBOW JIC MALE 74° CONE /  
SAE O-RING BOSS L -SERIES ISO 11926-3

代号 PART NO.	螺纹 THREAD		O形圈 O-RING		尺寸 DIMENSIONS				
	E	F		F 端	A	B	S1	S2	
1J09-04OG	7/16"X20	7/16"X20		O904	24.5	27.5	11	17	
1J09-04-06OG	7/16"X20	9/16"X18		O906	26.6	31.8	14	19	
1J09-05-04OG	1/2"X20	7/16"X20		O904	26.6	30	14	17	
1J09-05OG	1/2"X20	1/2"X20		O905	26.6	29	14	17	
1J09-05-06OG	1/2"X20	9/16"X18		O906	26.6	31.8	14	19	
1J09-06-04OG	9/16"X18	7/16"X20		O904	26.9	30	14	17	
1J09-06-05OG	9/16"X18	1/2"X20		O905	26.9	29.9	14	17	
1J09-06OG	9/16"X18	9/16"X18		O906	26.9	31.8	14	19	
1J09-06-08OG	9/16"X18	3/4"X16		O908	30	36.8	19	24	
1J09-08-04OG	3/4"X16	7/16"X20		O904	32	33	19	17	
1J09-08-06OG	3/4"X16	9/16"X18		O906	33	33.5	19	19	
1J09-08OG	3/4"X16	3/4"X16		O908	33	36.8	19	24	
1J09-08-10OG	3/4"X16	7/8"X14		O910	34.8	44	22	27	
1J09-08-12OG	3/4"X16	1.1/16"X12		O912	37.9	51	27	32	
1J09-10-08OG	7/8"X14	3/4"X16		O908	38	40	22	27	
1J09-10OG	7/8"X14	7/8"X14		O910	37.8	44	22	27	
1J09-10-12OG	7/8"X14	1.1/16"X12		O912	41	51	27	32	
1J09-10-08OG	1.1/16"X12	3/4"X16		O908	45	44	27	24	
1J09-12-10OG	1.1/16"X12	7/8"X14		O910	44.2	47	27	27	
1J09-12OG	1.1/16"X12	1.1/16"X12		O912	44.2	51	27	32	
1J09-12-16OG	1.1/16"X12	1.5/16"X12		O916	47.8	54.5	33	41	
1J09-16-12OG	1.5/16"X12	1.1/16"X12		O912	48.8	54.5	33	32	
1J09-16OG	1.5/16"X12	1.5/16"X12		O916	48.8	54.5	33	41	
1J09-16-20OG	1.5/16"X12	1.5/8"X12		O920	53.8	59	41	50	
1J09-20-16OG	1.5/8"X12	1.5/16"X12		O916	55.5	59.5	41	41	
1J09-20OG	1.5/8"X12	1.5/8"X12		O920	55.3	59	59	50	
1J09-20-24OG	1.5/8"X12	1.7/8"X12		O924	59.4	63	48	55	
1J09-24OG	1.7/8"X12	1.7/8"X12		O924	62.5	63	48	55	

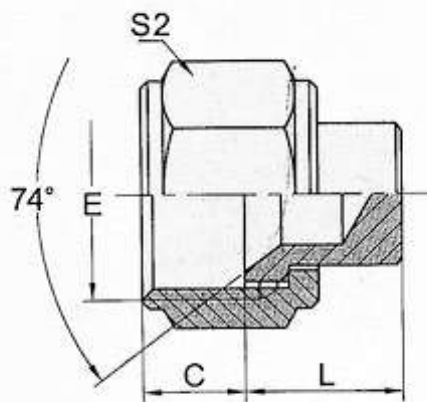




**4J**

美制JIC外螺纹74° 外锥堵头  
JIC MALE 74° CONE PLUG

代号 PART NO.	螺纹 THREAD		尺寸 DIMENSIONS			
	E		A	L	S1	
4J-04	7/16"X20		14	20	12	
4J-05	1/2"X20		14	20	14	
4J-06	9/16"X18		14.5	20	17	
4J-08	3/4"X16		17	25	22	
4J-10	7/8"X14		20	28	24	
4J-12	1.1/16"X12		22	30	27	
4J-16	1.5/16"X12		24	35	36	
4J-20	1.5/8"X12		25	37	46	
4J-24	1.7/8"X12		28	45	50	



**9J**

美制JIC内螺纹74° 内锥堵头  
JIC FEMALE 74° SEAT PLUG

代号 PART NO.	螺纹 THREAD		尺寸 DIMENSIONS			
	E		C	L	S2	
9J-04	7/16"X20		9	10.5	17	
9J-05	1/2"X20		9.5	11	17	
9J-06	9/16"X18		10.5	11	19	
9J-08	3/4"X16		11	13	24	
9J-10	7/8"X14		13	13.5	27	
9J-12	1.1/16"X12		15	15	32	
9J-16	1.5/16"X12		16	15.5	41	
9J-20	1.5/8"X12		17	18.5	50	
9J-24	1.7/8"X12		20	19	55	