

Screw core temperature control device

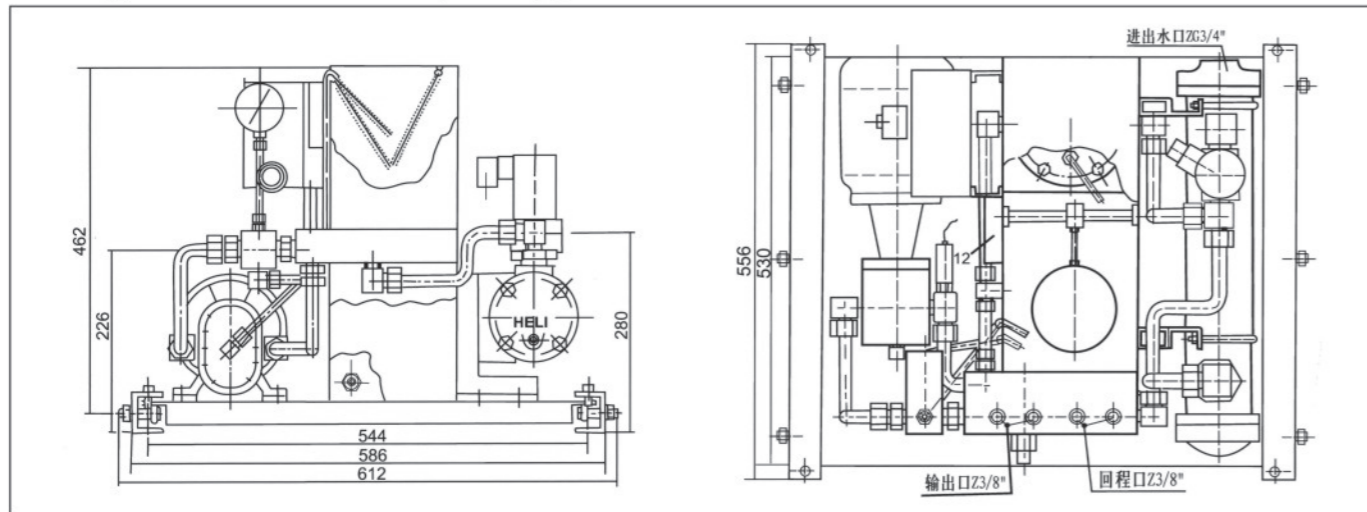
SJLC-A series temperature control instrument for screw core is a new generation devices for temperature control developed and made on the basis of former SJLC products by adopting advanced form of similar products overseas in combination with the actual situation of use at home. With heat conduction oil as medium and high-temperature oil pump for forced circulation, it realizes thermostatic control by electric heating and forced cooling. It features precise temperature control, compact structure and small volume. It can be easily connected to any type extruder and reach the goal of automatic control by the main control electric device of the extruder. It is presently the most ideal thermostatic device at the core part of twin-screw extruder.



Fitting range of extruder

SJLC-A1	for $\leq \Phi 55$ Twin-screw plastic extruder
SJLC-A2	for $\Phi 60 - \Phi 80$ Twin-screw plastic extruder
SJLC-A3	for $\geq \Phi 80$ Twin-screw plastic extruder

Configuration sketch map & Appearance dimensions



Specification

Data Model	Heater power	Heater volumn	Max temp.	Efficiency	Flow	Motor power	Pressure	Cooling area
SJLC-A1	3KW	10x10 ³ KJ/h	180°C	90%	5L/min	0.25KW	0.05MPa 0.4MPa	0.4M ²
SJLC-A2	6KW	21x10 ³ KJ/h	180°C	90%	10L/min	0.55KW		0.6M ²
SJLC-A3	9KW	32x10 ³ KJ/h	180°C	90%	20L/min	0.75KW		0.8M ²

*Special design upon request.

Vacuum exhaust system

ZBC series of vacuum exhaust system is developed according to the introduction of foreign technology; its role is to seal the device or system from the gas, the equipment or system in the absolute pressure below atmospheric pressure. It is suitable for pumping gas containing droplets and having a corrosive gas.



Application :

- 1, the plastic processing industry vacuum dehydration, degassing, material transport.
- 2, the paper industry vacuum dehydration.
- 3, vacuum distillation of chemical industry, dry.
- 4, the beverage industry vacuum distillation.

Features:

- Compact structure, easy to connect with the host.
- The filter can be cleaned while the system is running.
- Reliable check function, good shock performance.

Specification :

Model	Vacuum pump	Motor Power	Pumping rate	Ultimate vacuum	Water supply	Aspiration caliber	Outlet diameter
ZBC-1	SZ-0.3	0.75KW	20m ³ /h	0.04Mpa	0.2m ³ /h	RC1"	RC1"
ZBC-2	SZ-0.5	1.5KW	40m ³ /h	0.04Mpa	0.23 m ³ /h	RC1"	RC1"
ZBC-3	SZ-1	2.2KW	60m ³ /h	0.04Mpa	0.28 m ³ /h	RC1"	RC1"
ZBC-3A	SZ-2A	3KW	86 m ³ /h	0.04 Mpa	0.40m ³ /h	RC1"	RC1"
ZBC-4	SZ-2	4KW	120m ³ /h	0.04Mpa	0.45 m ³ /h	RC11/2"	RC11/2"

Dimensions

